

INSET DOOR PIVOT HINGE (ADJUSTABLE)

L=R

PH084N



Features

Function to adjust horizontally and vertically.

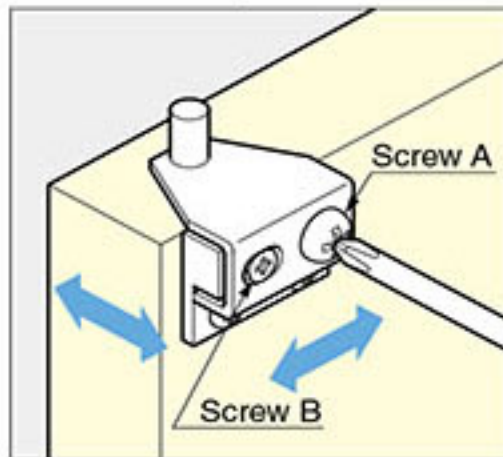
Remarks

2 pcs required for 1 door.

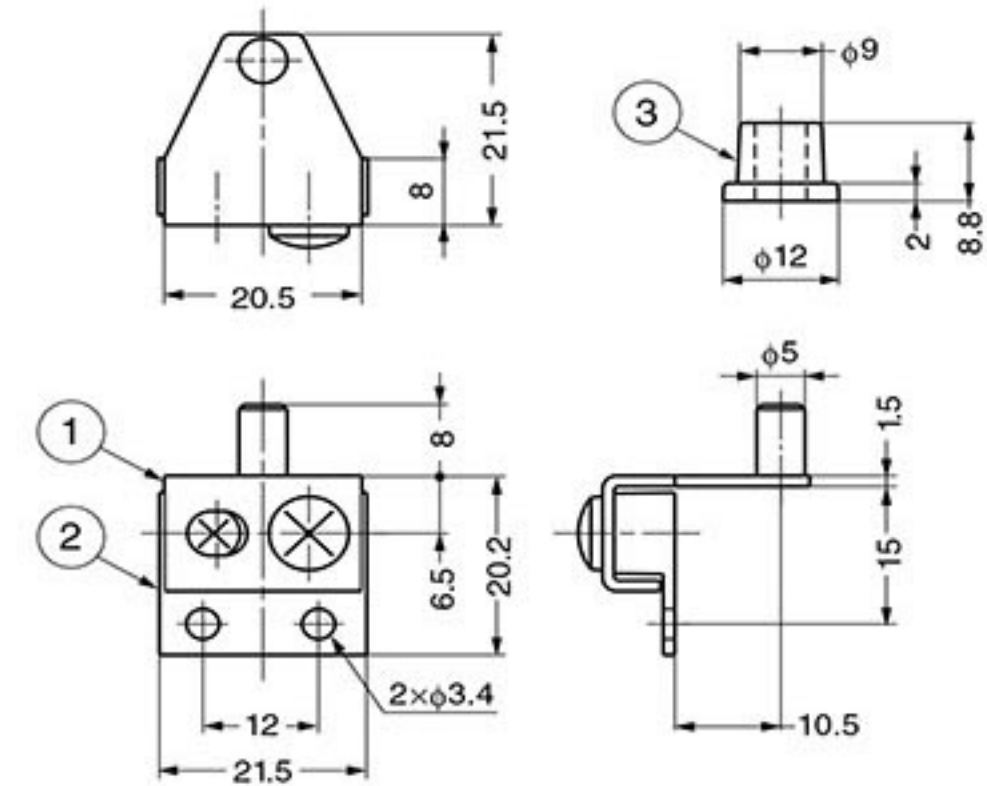
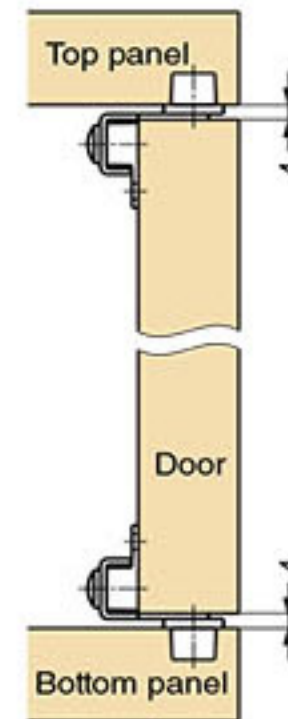
Adjustment Range

Depth : 2 mm / Horizontal : 2 mm

How to Adjust



After loosening screw A, adjust by screwing B in the direction of the arrows. Tighten screw A at final position.



No.	Part Name	Material	Finish/Colour
①	Body	Steel	Nickel
②	Hinge Plate	Zinc Alloy (ZDC)	Plain
③	Support	Polyamide (PA)	Black

Item Code	Item Name	Door Width	Door Height	Door Thickness	Door Weight	Weight	Box	Carton
170-090-621	PH084N	Max. 300	Max. 700	15 - 19	Max. 2 kg/2 pcs	19 g	500 pcs	1000 pcs

